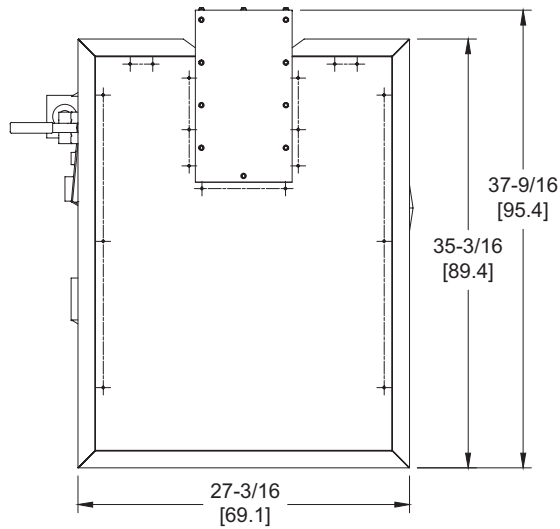


DOMINATOR 300

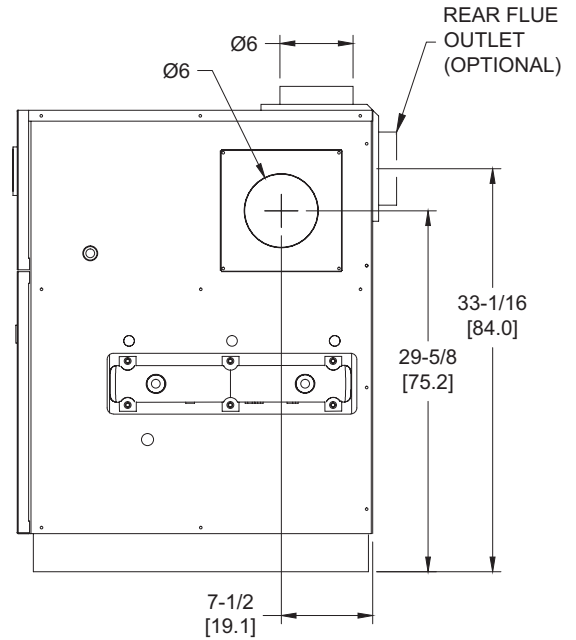
Category I or Category III Appliance
(see Installation and Operation Manual for venting information)

CODE OPTIONS

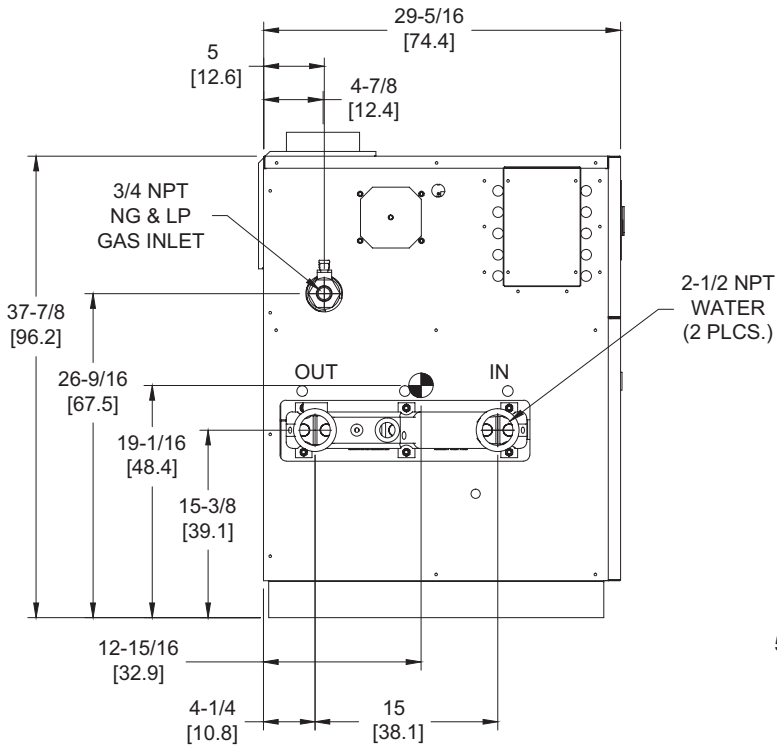
CSD-1	UTC Lockout/Reset Control Manual Reset LWCO
--------------	--



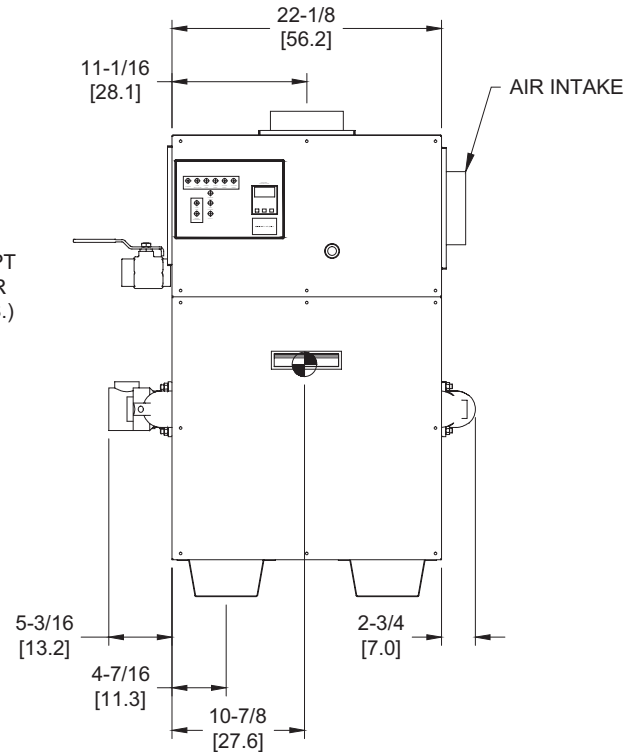
OUTDOOR TOP VIEW



RIGHT VIEW



LEFT VIEW



FRONT VIEW

RSUB-27-E

Notes:

1. Dimensions are approximate and should not be used to "rough-in" equipment.
2. Dimensions are subject to change without notice.
3. All dimensions are in inches (cm).
4. ● Symbol indicates center of gravity.

BOILER CERTIFIED RATINGS & CAPACITIES

Fuel Type	Natural/Propane Gas	Boiler FLA	3.8*
Input BTU/hr.	300,000 / 88 kW	Min. Gas Pressure Required	7" WC**
Output BTU/hr.	250,500 / 73 kW	Max. Gas Pressure Allowed	14" WC
Electrical Requirements	120VAC/ 1 ph/ 60 hz	Operating Weight	416 lbs. / 189 kg.

BOILER / WATER HEATER TRIM & CONTROLS

Main Gas Valve	Honeywell VR8304 3/4"	Pilot Valve	Honeywell VR8304
Firing Valve	Honeywell B200T1025 3/4"	Air Switch	Cleveland RSS-495
Ignition Control	UTC 1003-61A	Blower Motor	1/5 hp - FLA 3.0
High Limit	Honeywell L4008E	Relief Valve - DW	3/4" x 3/4" set @ 125 psi
		Relief Valve - DB	3/4" x 3/4" set @ 50 psi
		Flow Switch	TACO

A.S.M.E.

ASME Sect IV Htg Surface	38.0 Sq. Ft. / 3.53 Sq. M.	Design Data	Max. 160 psig & 250°F
Water Volume	3.5 gal / 13.2 Liters		

* Add circulator amps.

** For incoming gas pressures lower than 7" WC natural or 11" WC propane, consult factory.

BOILER TEMPERATURE RISE / PRESSURE DROP

15°F / 8.3°C				20°F / 11.1°C				25°F / 13.9°C			
Flow Rate		Pressure Drop		Flow Rate		Pressure Drop		Flow Rate		Pressure Drop	
GPM	L/s	Ft	kPa	GPM	L/s	Ft	kPa	GPM	L/s	Ft	kPa
33.4	2.1	0.21	0.6	25.1	1.6	0.12	0.4	20.0	1.3	0.08	0.2

WATER HEATER HOURLY RECOVERY CAPACITY (GPH & LPH)

40°F	22°C	60°F	33°C	80°F	44°C	100°F	56°C	120°F	67°C	140°F	78°C
723	2733	482	1822	361	1366	289	1093	241	911	207	781

REP FIRM _____
SUBMITTED BY _____
JOB NAME _____
ARCHITECT _____
ENGINEER _____
CONTRACTOR _____
DATE _____

DOMINATOR 300

Category I or Category III Appliance
(see Installation and Operation Manual for venting information)

RBI®
RELIABLE. BOLD. INNOVATIVE.

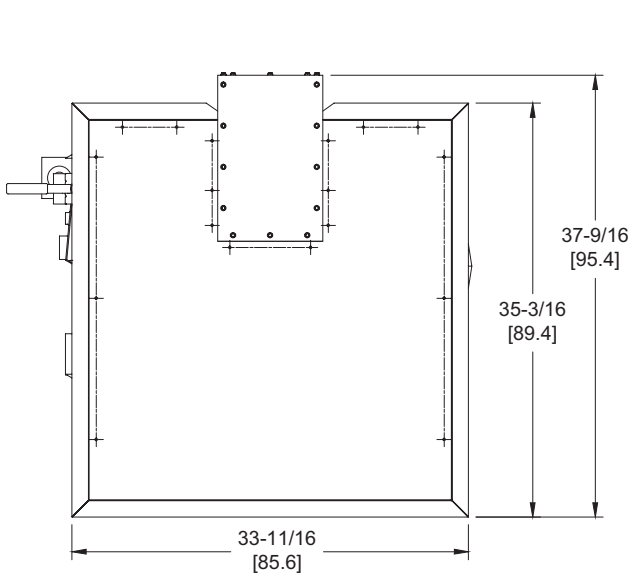
A Division of Mestek, Inc.
Westfield, MA 01085
(413) 564-5515

DOMINATOR 400

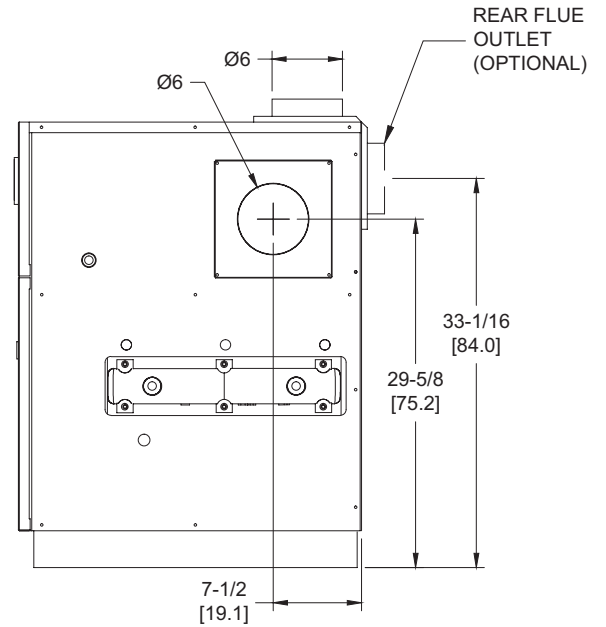
Category I or Category III Appliance
 (see Installation and Operation Manual for venting information)

CODE OPTIONS

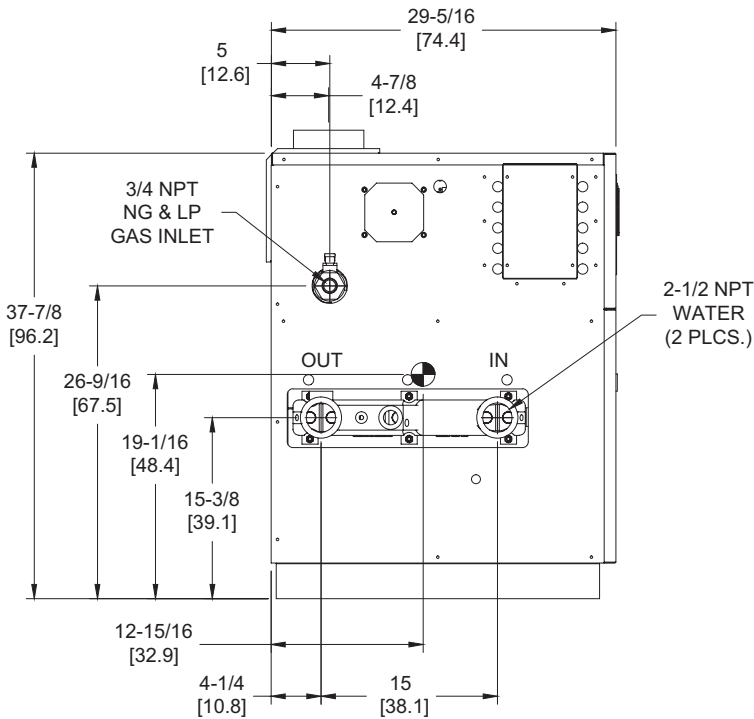
CSD-1	UTC Lockout/Reset Control Manual Reset LWCO
--------------	--



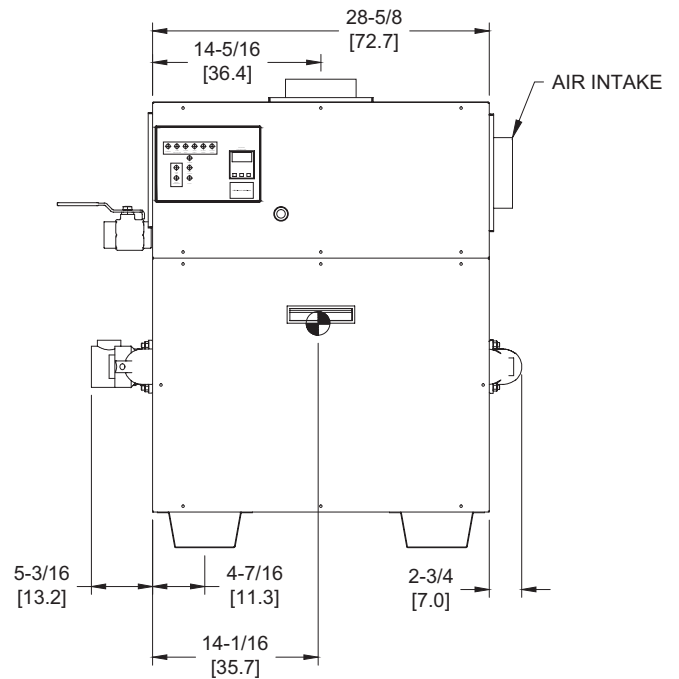
OUTDOOR TOP VIEW



RIGHT VIEW



LEFT VIEW



FRONT VIEW

RSUB-28-E

Dominator 400 model water heater not available for sale in the U.S. market due to DOE regulations.

Notes:

1. Dimensions are approximate and should not be used to "rough-in" equipment.
2. Dimensions are subject to change without notice.
3. All dimensions are in inches (cm).
4. ● Symbol indicates center of gravity.

BOILER CERTIFIED RATINGS & CAPACITIES

Fuel Type	Natural/Propane Gas	Boiler FLA	3.8*
Input BTU/hr.	399,000 / 117 kW	Min. Gas Pressure Required	7" WC**
Output BTU/hr.	339,150 / 99 kW	Max. Gas Pressure Allowed	14" WC
Electrical Requirements	120VAC/ 1 ph/ 60 hz	Operating Weight	490 lbs. / 222 kg.

BOILER / WATER HEATER TRIM & CONTROLS

Main Gas Valve	Honeywell VR8305 3/4"	Pilot Valve	Honeywell VR8205
Firing Valve	Honeywell B200T1025 3/4"	Air Switch	Cleveland RSS-495
Ignition Control	UTC 1003-61A	Blower Motor	1/5 hp - FLA 3.0
Operating Control	Tekmar BTC-2PA	Relief Valve - DW	3/4" x 3/4" set @ 125 psi
High Limit	Honeywell L4008E	Relief Valve - DB	3/4" x 3/4" set @ 50 psi
		Flow Switch	TACO

A.S.M.E.

ASME Sect IV Htg Surface	50.0 Sq. Ft. / 4.65 Sq. M.	Design Data	Max. 160 psig & 250°F
Water Volume	3.6 gal / 13.6 Liters		

* Add circulator amps.

** For incoming gas pressures lower than 7" WC natural or 11" WC propane, consult factory.

BOILER TEMPERATURE RISE / PRESSURE DROP

15°F / 8.3°C				20°F / 11.1°C				25°F / 13.9°C			
Flow Rate		Pressure Drop		Flow Rate		Pressure Drop		Flow Rate		Pressure Drop	
GPM	L/s	Ft	kPa	GPM	L/s	Ft	kPa	GPM	L/s	Ft	kPa
45.3	2.9	0.49	1.5	34.0	2.1	0.29	0.9	27.2	1.7	0.19	0.6

WATER HEATER HOURLY RECOVERY CAPACITY (GPH & LPH)

40°F	22°C	60°F	33°C	80°F	44°C	100°F	56°C	120°F	67°C	140°F	78°C
1018	3853	679	2569	509	1927	407	1541	339	1284	291	1101

Dominator 400 model water heater not available for sale in the U.S. market due to DOE regulations.

REP FIRM _____
SUBMITTED BY _____
JOB NAME _____
ARCHITECT _____
ENGINEER _____
CONTRACTOR _____
DATE _____

DOMINATOR 400

Category I or Category III Appliance
 (see Installation and Operation Manual for venting information)

RBI®
 RELIABLE. BOLD. INNOVATIVE.

A Division of Mestek, Inc.
 Westfield, MA 01085
 (413) 564-5515

DOMINATOR 600

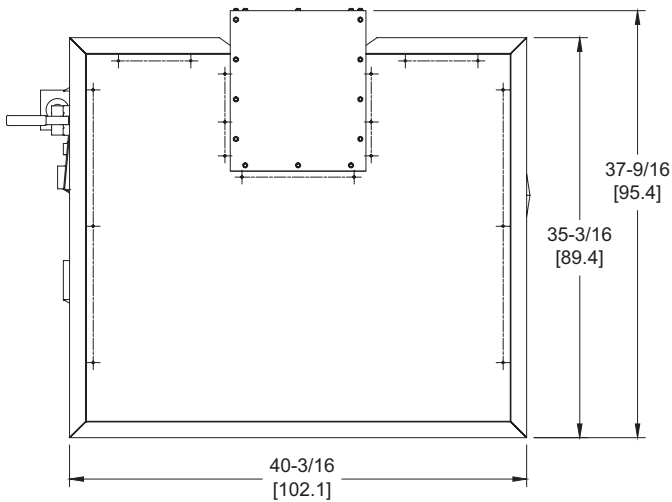
Category I or Category III Appliance

(see Installation and Operation Manual for venting information)

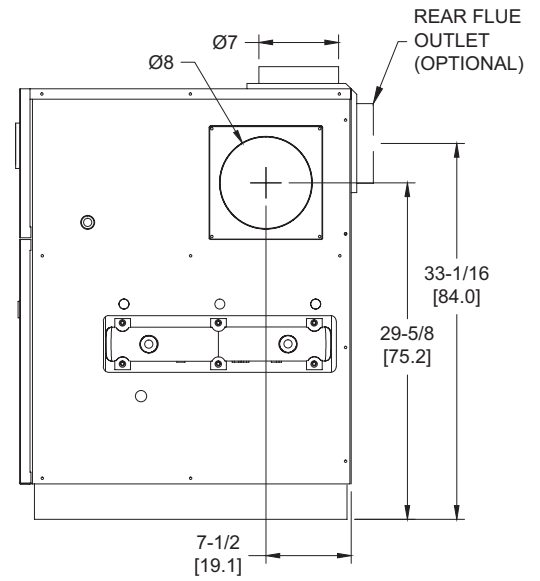
CODE OPTIONS

CSD-1

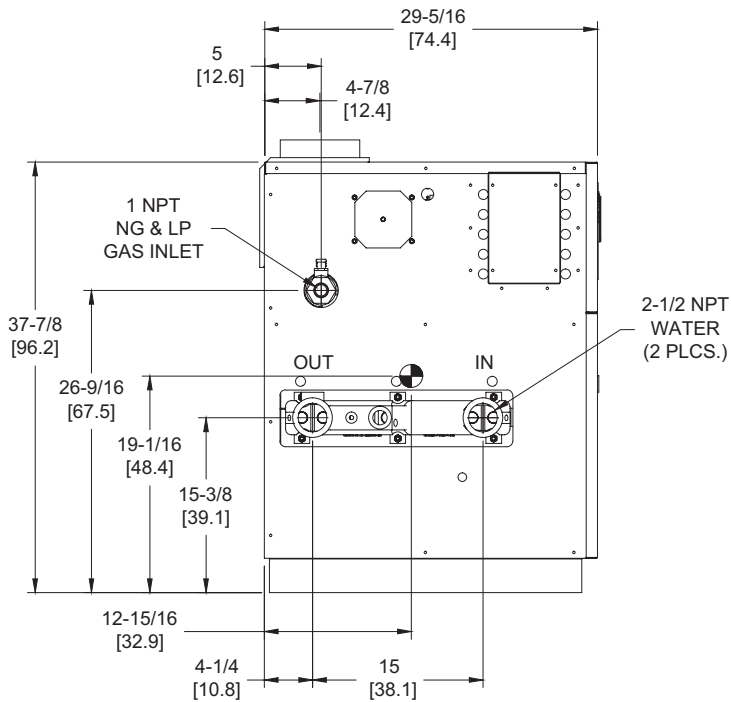
UTC Lockout/Reset Control
Manual Reset LWCO



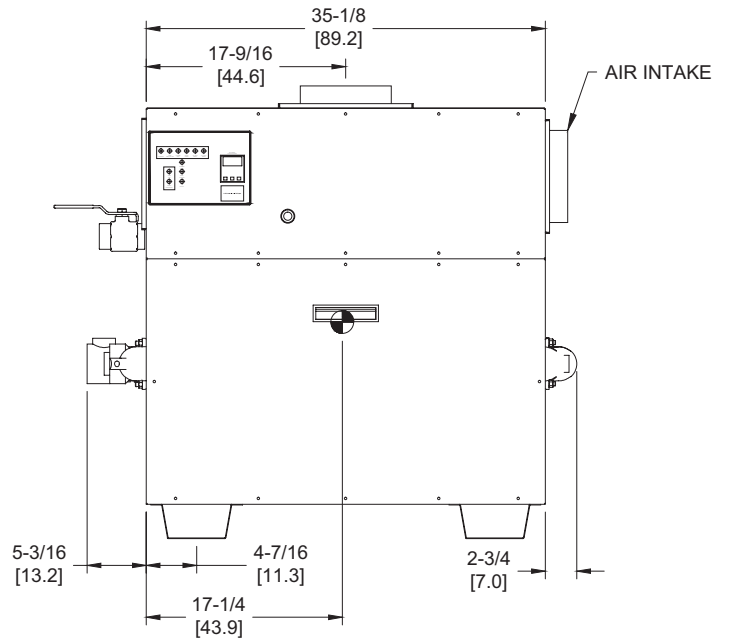
OUTDOOR TOP VIEW



RIGHT VIEW




LEFT VIEW



FRONT VIEW

RSUB-29-E

Notes:

1. Dimensions are approximate and should not be used to "rough-in" equipment.
2. Dimensions are subject to change without notice.
3. All dimensions are in inches (cm).
4.  Symbol indicates center of gravity.

BOILER CERTIFIED RATINGS & CAPACITIES

Fuel Type	Natural/Propane Gas	Boiler FLA	3.8*
Input BTU/hr.	600,000 / 176 kW	Min. Gas Pressure Required	7" WC**
Output BTU/hr.	510,000 / 149 kW	Max. Gas Pressure Allowed	14" WC
Electrical Requirements	120VAC/ 1 ph/ 60 hz	Operating Weight	532 lbs. / 242 kg.

BOILER / WATER HEATER TRIM & CONTROLS

Main Gas Valve	Honeywell V8944 1"	Pilot Valve	Honeywell VR8205
Firing Valve	Honeywell B200T1033 1"	Air Switch	Cleveland RSS-495
Safety Valve	ASCO L8214G 1"	Blower Motor	1/5 hp - FLA 3.0
Ignition Control	UTC 1003-61A	Relief Valve - DW	3/4" x 3/4" set @ 125 psi
Operating Control	Tekmar BTC-2PA	Relief Valve - DB	3/4" x 3/4" set @ 50 psi
High Limit	Honeywell L4008E	Flow Switch	TACO

A.S.M.E.

ASME Sect IV Htg Surface	64.0 Sq. Ft. / 5.95 Sq. M.	Design Data	Max. 160 psig & 250°F
Water Volume	3.8 gal / 14.5 Liters		

* Add circulator amps.

** For incoming gas pressures lower than 7" WC natural or 11" WC propane, consult factory.

BOILER TEMPERATURE RISE / PRESSURE DROP

15°F / 8.3°C				20°F / 11.1°C				25°F / 13.9°C				30°F / 16.7°C			
Flow Rate		Pressure Drop		Flow Rate		Pressure Drop		Flow Rate		Pressure Drop		Flow Rate		Pressure Drop	
GPM	L/s	Ft	kPa	GPM	L/s	Ft	kPa	GPM	L/s	Ft	kPa	GPM	L/s	Ft	kPa
68.0	4.3	1.30	3.8	51.0	3.2	0.76	2.2	40.8	2.6	0.50	1.5	34.0	2.1	0.36	1.1

WATER HEATER HOURLY RECOVERY CAPACITY (GPH & LPH)

40°F	22°C	60°F	33°C	80°F	44°C	100°F	56°C	120°F	67°C	140°F	78°C
1486	5616	990	3744	743	2808	594	2246	495	1872	424	1604

REP FIRM _____
SUBMITTED BY _____
JOB NAME _____
ARCHITECT _____
ENGINEER _____
CONTRACTOR _____
DATE _____

DOMINATOR 600

Category I or Category III Appliance
 (see Installation and Operation Manual for venting information)

RBI®
 RELIABLE. BOLD. INNOVATIVE.

A Division of Mestek, Inc.
 Westfield, MA 01085
 (413) 564-5515

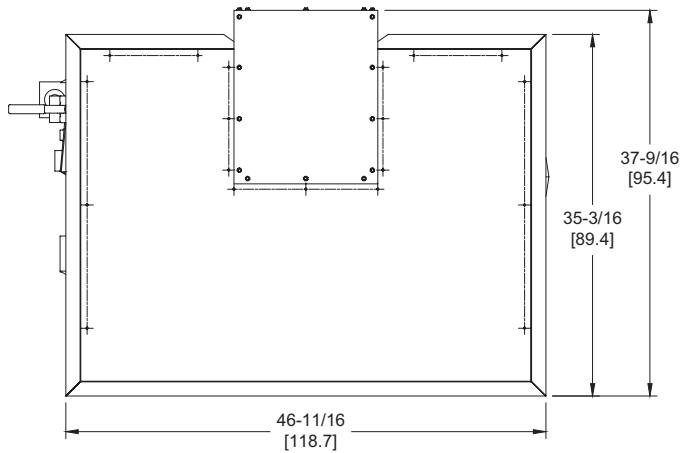
DOMINATOR 750

Category I or Category III Appliance

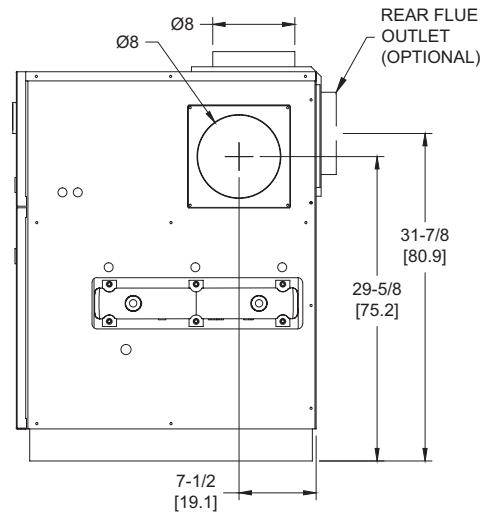
(see Installation and Operation Manual for venting information)

CODE OPTIONS

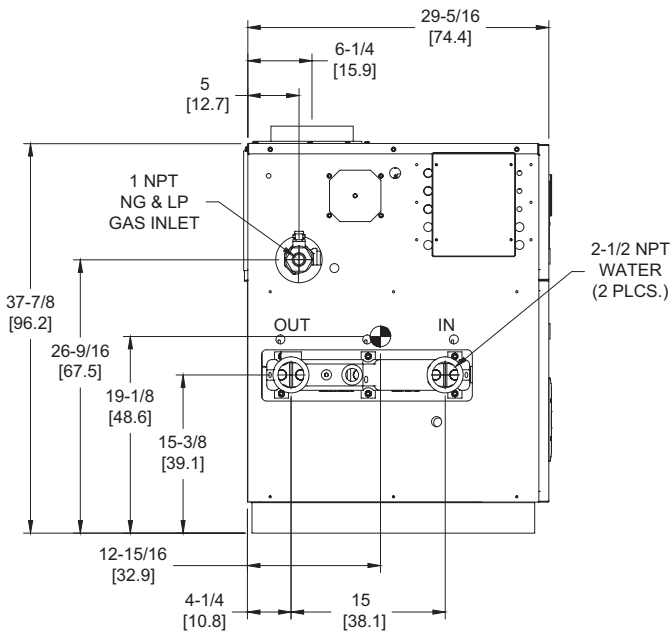
CSD-1	UTC Lockout/Reset Control Manual Reset LWCO
--------------	--



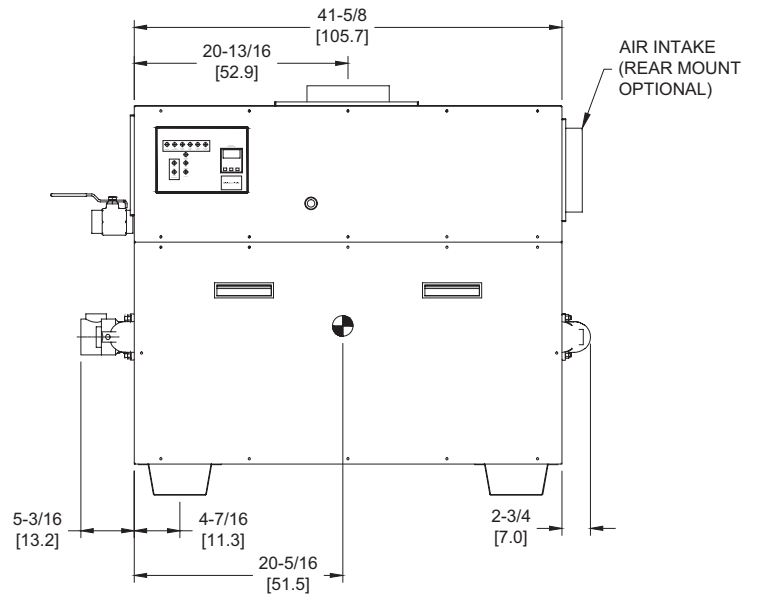
OUTDOOR TOP VIEW



RIGHT VIEW



LEFT VIEW



FRONT VIEW

RSUB-30-E

Notes:

1. Dimensions are approximate and should not be used to "rough-in" equipment.
2. Dimensions are subject to change without notice.
3. All dimensions are in inches (cm).
4. ● Symbol indicates center of gravity.

SDOM-750-8

BOILER CERTIFIED RATINGS & CAPACITIES

Fuel Type	Natural/Propane Gas	Boiler FLA	5.9*
Input BTU/hr.	750,000 / 220 kW	Min. Gas Pressure Required	7" WC**
Output BTU/hr.	637,500 / 187 kW	Max. Gas Pressure Allowed	14" WC
Electrical Requirements	120VAC/ 1 ph/ 60 hz	Operating Weight	573 lbs. / 260 kg.

BOILER / WATER HEATER TRIM & CONTROLS

Main Gas Valve	Honeywell V8944 1"	Pilot Valve	Honeywell VR8205
Firing Valve	Honeywell B200T1033 1"	Air Switch	Cleveland RSS-495
Safety Valve	ASCO L8214G 1"	Blower Motor	1/4 hp - FLA 5.1
Ignition Control	UTC 1003-61A	Relief Valve - DW	3/4" x 3/4" set @ 125 psi
Operating Control	Tekmar BTC-2PA	Relief Valve - DB	3/4" x 3/4" set @ 50 psi
High Limit	Honeywell L4008E	Flow Switch	TACO

A.S.M.E.

ASME Sect IV Htg Surface	77.0 Sq. Ft. / 7.15 Sq. M.	Design Data	Max. 160 psig & 250°F
Water Volume	3.9 gal / 14.9 Liters		

* Add circulator amps.

** For incoming gas pressures lower than 7" WC natural or 11" WC propane, consult factory.

BOILER TEMPERATURE RISE / PRESSURE DROP

20°F / 11.1°C				25°F / 13.9°C				30°F / 16.7°C				35°F / 19.4°C			
Flow Rate		Pressure Drop		Flow Rate		Pressure Drop		Flow Rate		Pressure Drop		Flow Rate		Pressure Drop	
GPM	L/s	Ft	kPa	GPM	L/s	Ft	kPa	GPM	L/s	Ft	kPa	GPM	L/s	Ft	kPa
63.8	4.0	1.38	4.1	51.0	3.2	0.91	2.7	42.5	2.7	0.65	1.9	36.4	2.3	0.49	1.4

WATER HEATER HOURLY RECOVERY CAPACITY (GPH & LPH)

40°F	22°C	60°F	33°C	80°F	44°C	100°F	56°C	120°F	67°C	140°F	78°C
1857	7019	1238	4680	928	3510	743	2808	619	2340	531	2006

REP FIRM _____
SUBMITTED BY _____
JOB NAME _____
ARCHITECT _____
ENGINEER _____
CONTRACTOR _____
DATE _____

DOMINATOR 750

Category I or Category III Appliance
(see Installation and Operation Manual for venting information)

RBI[®]
RELIABLE. BOLD. INNOVATIVE.

A Division of Mestek, Inc.
Westfield, MA 01085
(413) 564-5515

DOMINATOR 900

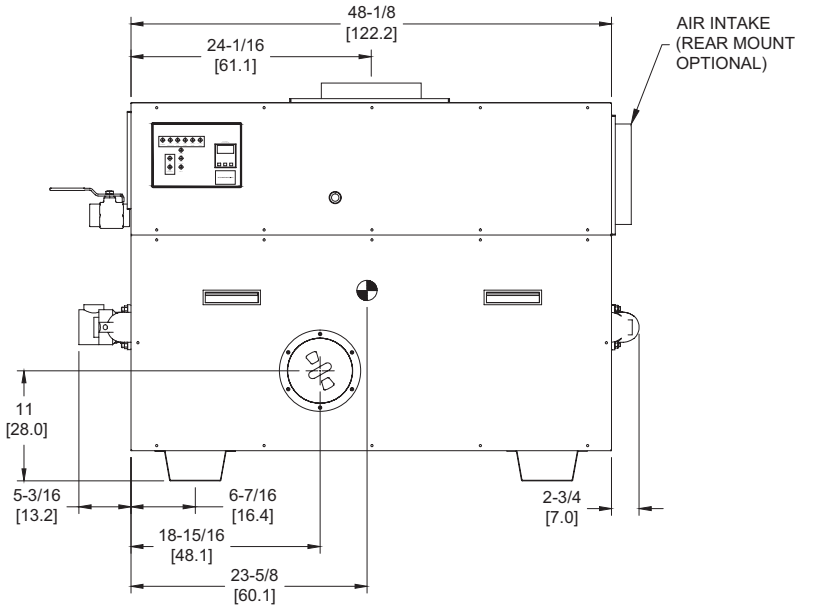
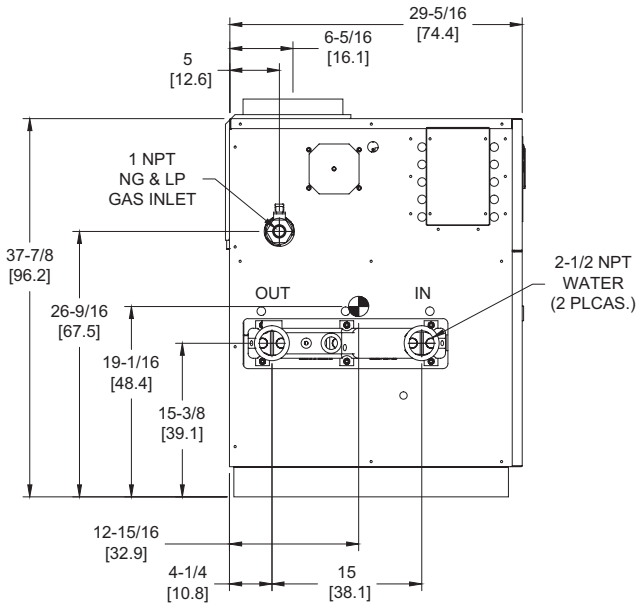
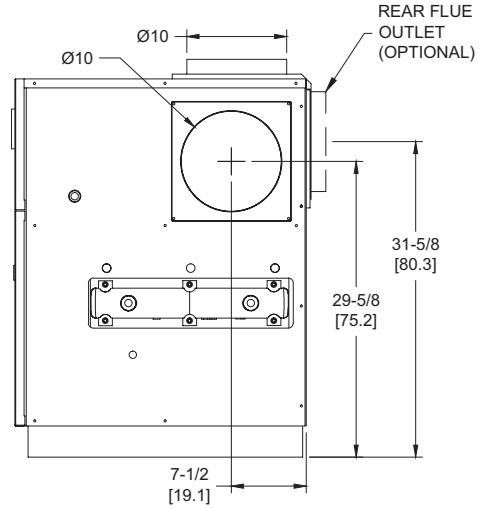
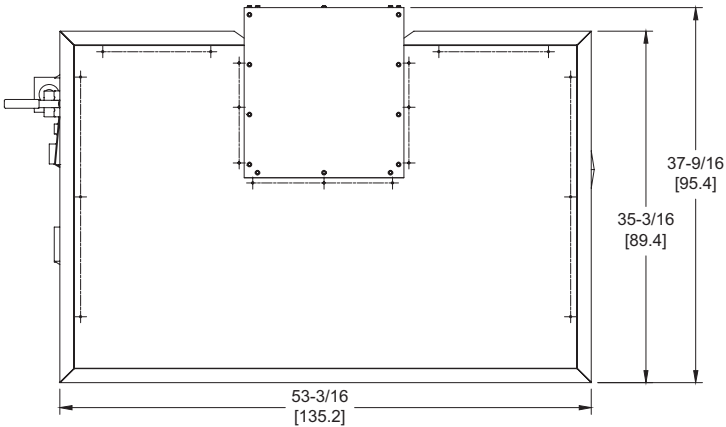
Category I or Category III Appliance

(see Installation and Operation Manual for venting information)

CODE OPTIONS

CSD-1

UTC Lockout/Reset Control
Manual Reset LWCO



RSUB-31-E

Notes:

1. Dimensions are approximate and should not be used to "rough-in" equipment.
2. Dimensions are subject to change without notice.
3. All dimensions are in inches (cm).
4. ● Symbol indicates center of gravity.

BOILER CERTIFIED RATINGS & CAPACITIES

Fuel Type	Natural/Propane Gas	Boiler FLA	5.9*
Input BTU/hr.	900,000 / 264 kW	Min. Gas Pressure Required	7" WC**
Output BTU/hr.	765,000 / 224 kW	Max. Gas Pressure Allowed	14" WC
Electrical Requirements	120VAC/ 1 ph/ 60 hz	Operating Weight	664 lbs. / 301 kg.

BOILER / WATER HEATER TRIM & CONTROLS

Main Gas Valve	Honeywell V8944 1"	Pilot Valve	Honeywell VR8205
Firing Valve	Honeywell B200T1033 1"	Air Switch	Cleveland RSS-495
Safety Valve	ASCO L8214G 1"	Blower Motor	1/4 hp - FLA 5.1
Ignition Control	UTC 1003-61A	Relief Valve - DW	3/4" x 3/4" set @ 125 psi
Operating Control	Tekmar BTC-2PA	Relief Valve - DB	3/4" x 3/4" set @ 50 psi
High Limit	Honeywell L4008E	Flow Switch	TACO

A.S.M.E.

ASME Sect IV Htg Surface	90.0 Sq. Ft. / 8.36 Sq. M.	Design Data	Max. 160 psig & 250°F
Water Volume	4.1 gal / 15.4 Liters		

* Add circulator amps.

** For incoming gas pressures lower than 7" WC natural or 11" WC propane, consult factory.

BOILER TEMPERATURE RISE / PRESSURE DROP

20°F / 11.1°C				25°F / 13.9°C				30°F / 16.7°C				35°F / 19.4°C			
Flow Rate		Pressure Drop		Flow Rate		Pressure Drop		Flow Rate		Pressure Drop		Flow Rate		Pressure Drop	
GPM	L/s	Ft	kPa	GPM	L/s	Ft	kPa	GPM	L/s	Ft	kPa	GPM	L/s	Ft	kPa
76.5	4.8	2.25	6.6	61.2	3.9	1.49	4.4	51.0	3.2	1.06	3.1	43.7	2.8	0.80	2.4

WATER HEATER HOURLY RECOVERY CAPACITY (GPH & LPH)

40°F	22°C	60°F	33°C	80°F	44°C	100°F	56°C	120°F	67°C	140°F	78°C
2228	8423	1486	5616	1114	4212	891	3369	743	2808	637	2407

REP FIRM _____
SUBMITTED BY _____
JOB NAME _____
ARCHITECT _____
ENGINEER _____
CONTRACTOR _____
DATE _____

DOMINATOR 900

Category I or Category III Appliance
 (see Installation and Operation Manual for venting information)

RBI®
 RELIABLE. BOLD. INNOVATIVE.

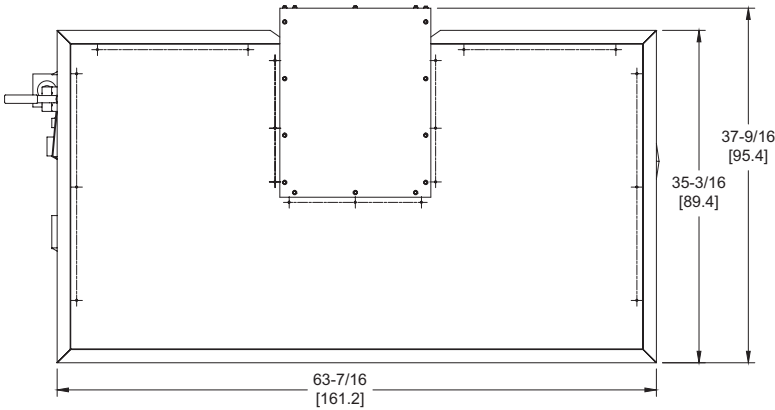
A Division of Mestek, Inc.
 Westfield, MA 01085
 (413) 564-5515

DOMINATOR 1050

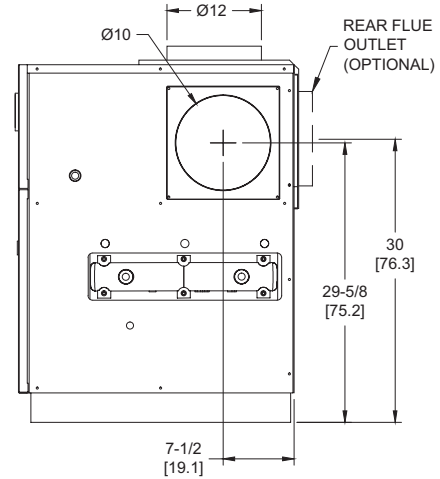
Category I or Category III Appliance
 (see Installation and Operation Manual for venting information)

CODE OPTIONS

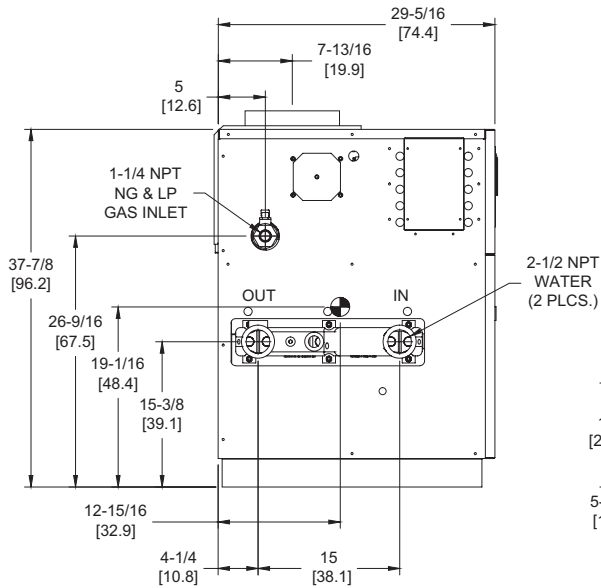
CSD-1	UTC Lockout/Reset Control Manual Reset LWCO
--------------	--



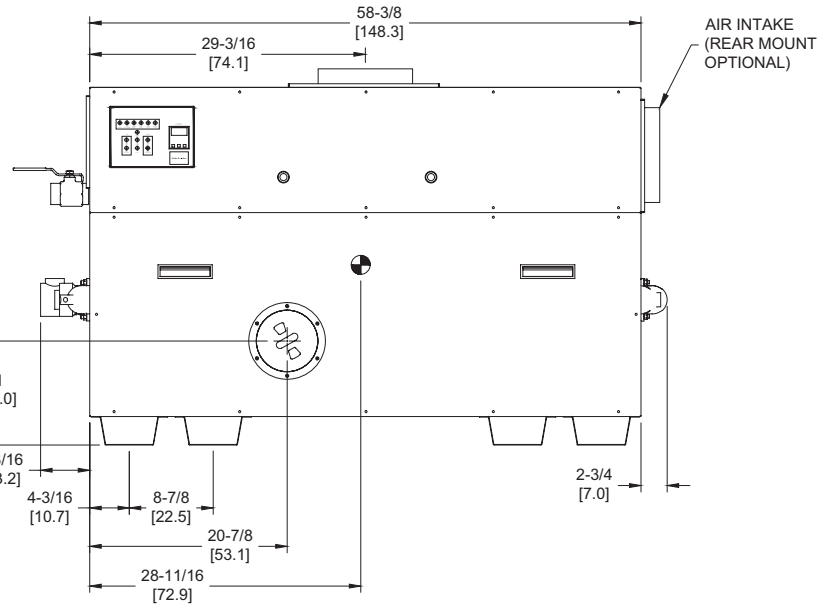
OUTDOOR TOP VIEW



RIGHT VIEW



LEFT VIEW



FRONT VIEW

RSUB-32-E

Notes:

1. Dimensions are approximate and should not be used to "rough-in" equipment.
2. Dimensions are subject to change without notice.
3. All dimensions are in inches (cm).
4. ● Symbol indicates center of gravity.

BOILER CERTIFIED RATINGS & CAPACITIES

Fuel Type	Natural/Propane Gas	Boiler FLA	11.0*
Input BTU/hr.	1,050,000 / 308 kW	Min. Gas Pressure Required	7" WC**
Output BTU/hr.	892,500 / 262 kW	Max. Gas Pressure Allowed	14" WC
Electrical Requirements	120VAC/ 1 ph/ 60 hz	Operating Weight	772 lbs. / 350 kg.

BOILER / WATER HEATER TRIM & CONTROLS

Main Gas Valve	Honeywell (2) V8944 1"	Pilot Valve	Honeywell VR8205
Firing Valve	Honeywell (2) B200T1033 1"	Air Switch	Cleveland RSS-495
Safety Valve	ASCO L8214G 1-1/4"	Blower Motor	(2) 1/4 hp - FLA 10.2
Ignition Control	UTC 1003-61A	Relief Valve - DW	3/4" x 3/4" set @ 125 psi
Operating Control	Tekmar BTC-2PA	Relief Valve - DB	3/4" x 3/4" set @ 50 psi
Operating Control	Tekmar BTC-4PA	Flow Switch	TACO
High Limit	Honeywell L4008E		

A.S.M.E.

ASME Sect IV Htg Surface	110.0 Sq. Ft. / 10.22 Sq. M.	Design Data	Max. 160 psig & 250°F
Water Volume	4.4 gal / 16.8 Liters		

* Add circulator amps.

** For incoming gas pressures lower than 7" WC natural or 11" WC propane, consult factory.

BOILER TEMPERATURE RISE / PRESSURE DROP

20°F / 11.1°C				25°F / 13.9°C				30°F / 16.7°C				35°F / 19.4°C			
Flow Rate		Pressure Drop		Flow Rate		Pressure Drop		Flow Rate		Pressure Drop		Flow Rate		Pressure Drop	
GPM	L/s	Ft	kPa	GPM	L/s	Ft	kPa	GPM	L/s	Ft	kPa	GPM	L/s	Ft	kPa
89.3	5.6	3.65	10.7	71.4	4.5	2.41	7.1	59.5	3.8	1.72	5.1	51.0	3.2	1.29	3.8

WATER HEATER HOURLY RECOVERY CAPACITY (GPH & LPH)

40°F	22°C	60°F	33°C	80°F	44°C	100°F	56°C	120°F	67°C	140°F	78°C
2597	9815	1731	6544	1298	4908	1039	3926	866	3272	742	2804

REP FIRM _____
SUBMITTED BY _____
JOB NAME _____
ARCHITECT _____
ENGINEER _____
CONTRACTOR _____
DATE _____

DOMINATOR 1050

Category I or Category III Appliance
(see Installation and Operation Manual for venting information)

RBI[®]
RELIABLE. BOLD. INNOVATIVE.

A Division of Mestek, Inc.
Westfield, MA 01085
(413) 564-5515

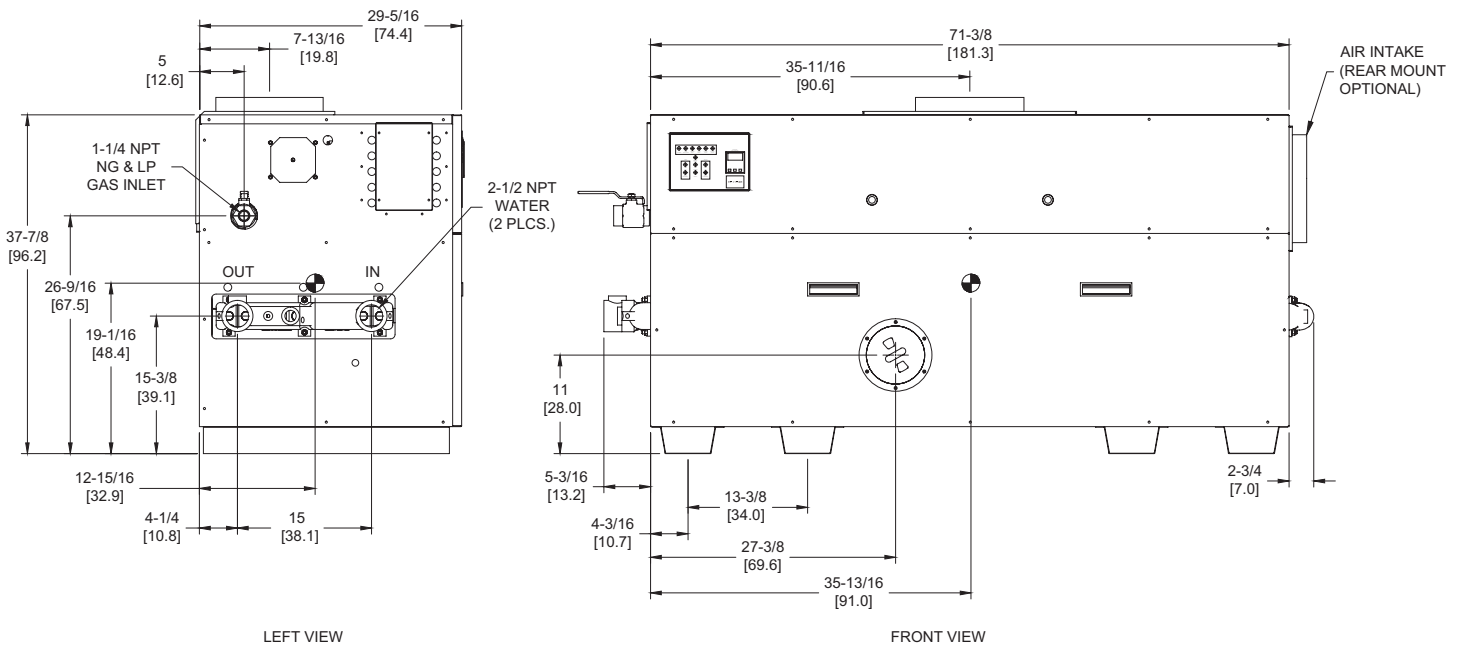
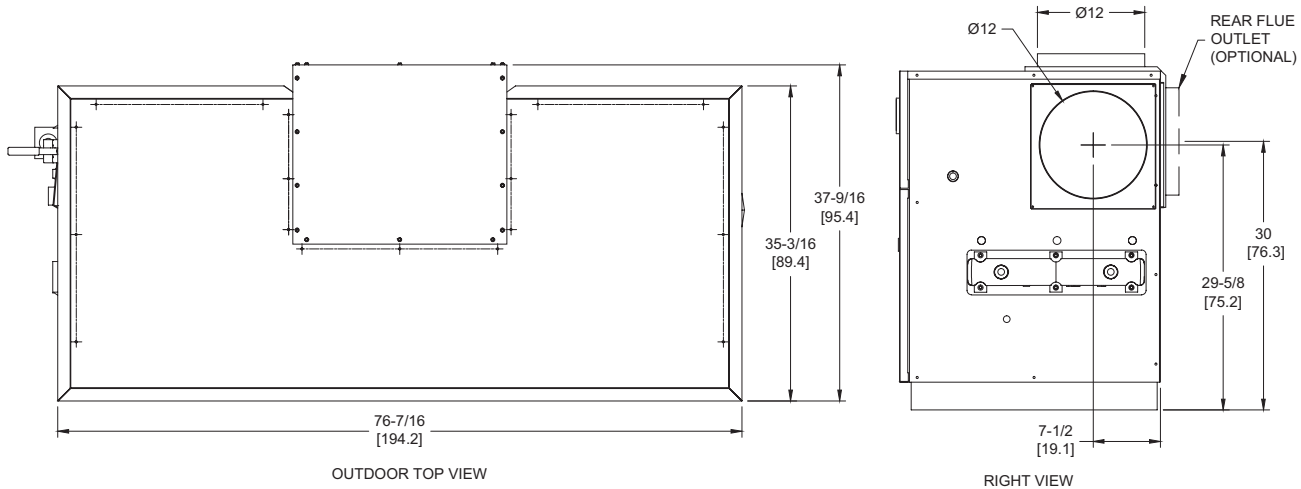
DOMINATOR 1350

Category I or Category III Appliance

(see Installation and Operation Manual for venting information)


CODE OPTIONS

CSD-1	UTC Lockout/Reset Control
	Manual Reset LWCO



RSUB-33-F

Notes:

1. Dimensions are approximate and should not be used to "rough-in" equipment.
2. Dimensions are subject to change without notice.
3. All dimensions are in inches (cm).
4.  Symbol indicates center of gravity.

SDOM-1350-8

BOILER CERTIFIED RATINGS & CAPACITIES

Fuel Type	Natural/Propane Gas	Boiler FLA	11.0*
Input BTU/hr.	1,350,000 / 396 kW	Min. Gas Pressure Required	7" WC**
Output BTU/hr.	1,147,500 / 336 kW	Max. Gas Pressure Allowed	14" WC
Electrical Requirements	120VAC/ 1 ph/ 60 hz	Operating Weight	805 lbs. / 365 kg.

BOILER / WATER HEATER TRIM & CONTROLS

Main Gas Valve	Honeywell (2) V8944 1"	Pilot Valve	Honeywell VR8205
Firing Valve	Honeywell (2) B200T1033 1"	Air Switch	Cleveland RSS-495
Safety Valve	ASCO L8214G 1-1/4"	Blower Motor	(2) 1/4 hp - FLA 10.2
Ignition Control	UTC 1003-61A	Relief Valve - DW	3/4" x 3/4" set @ 125 psi
Operating Control	Tekmar BTC-2PA	Relief Valve - DB	3/4" x 1" set @ 50 psi
Operating Control	Tekmar BTC-4PA	Flow Switch	TACO
High Limit	Honeywell L4008E		

A.S.M.E.

ASME Sect IV Htg Surface	136.0 Sq. Ft. / 12.63 Sq. M.	Design Data	Max. 160 psig & 250°F
Water Volume	4.8 gal / 18.2 Liters		

* Add circulator amps.

** For incoming gas pressures lower than 7" WC natural or 11" WC propane, consult factory.

BOILER TEMPERATURE RISE / PRESSURE DROP

20°F / 11.1°C				25°F / 13.9°C				30°F / 16.7°C				35°F / 19.4°C			
Flow Rate		Pressure Drop		Flow Rate		Pressure Drop		Flow Rate		Pressure Drop		Flow Rate		Pressure Drop	
GPM	L/s	Ft	kPa	GPM	L/s	Ft	kPa	GPM	L/s	Ft	kPa	GPM	L/s	Ft	kPa
114.8†	7.2†	7.15	21.1	91.8	5.8	4.73	13.9	76.5	4.8	3.38	9.9	65.6	4.1	2.54	7.5

† Flow exceeds recommended maximum use a greater temperature rise or consult manufacturer.
Cupronickel heat exchanger should be considered.

WATER HEATER HOURLY RECOVERY CAPACITY (GPH & LPH)

40°F	22°C	60°F	33°C	80°F	44°C	100°F	56°C	120°F	67°C	140°F	78°C
3339	12620	2226	8413	1669	6310	1335	5048	1113	4207	954	3606

REP FIRM _____
SUBMITTED BY _____
JOB NAME _____
ARCHITECT _____
ENGINEER _____
CONTRACTOR _____
DATE _____

DOMINATOR 1350

Category I or Category III Appliance
(see Installation and Operation Manual for venting information)

RBI®
RELIABLE. BOLD. INNOVATIVE.

A Division of Mestek, Inc.
Westfield, MA 01085
(413) 564-5515

DOMINATOR 1500

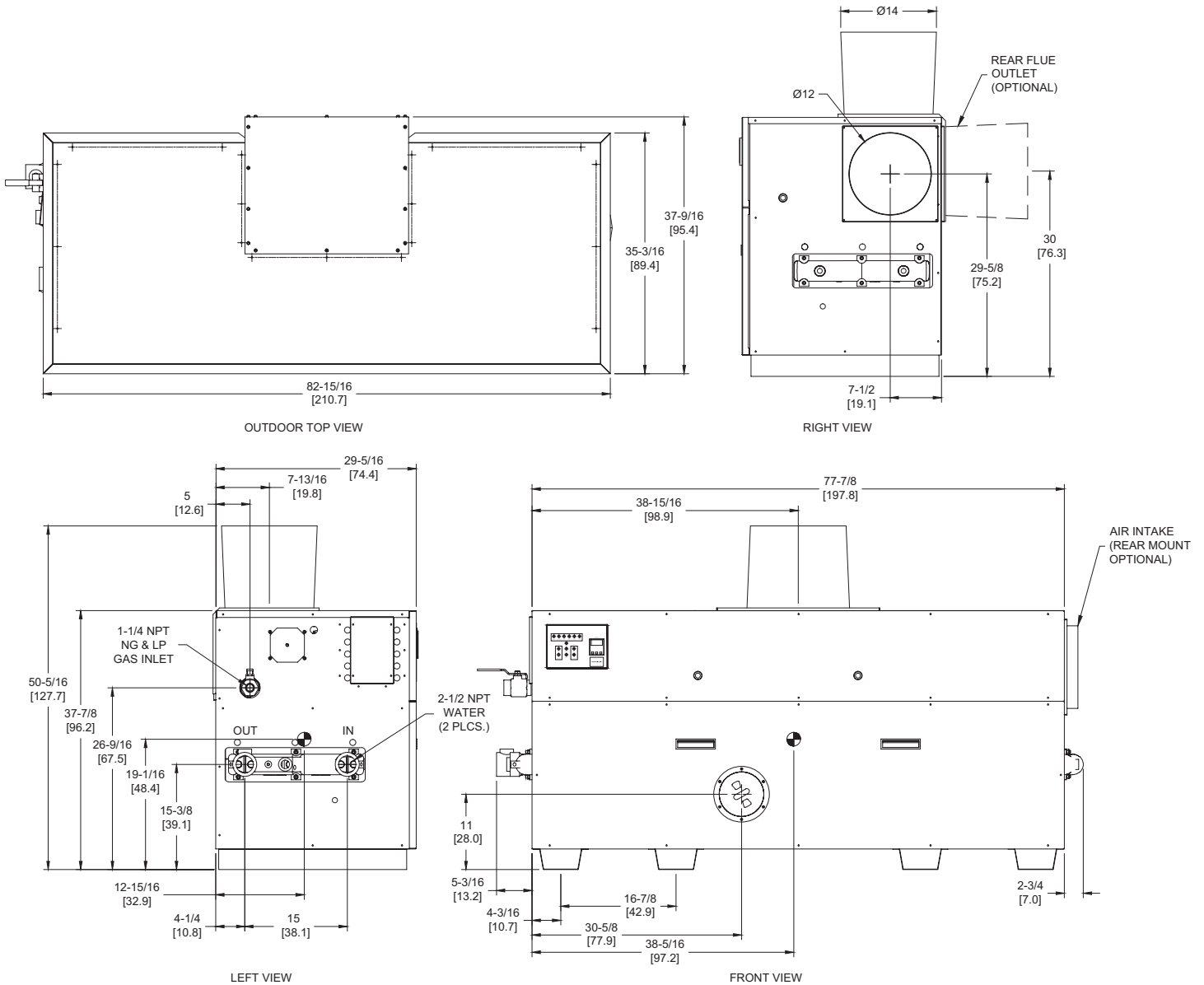
Category I or Category III Appliance

(see Installation and Operation Manual for venting information)

CODE OPTIONS

CSD-1

UTC Lockout/Reset Control
Manual Reset LWCO



RSUB-34-G

Notes:

1. Dimensions are approximate and should not be used to "rough-in" equipment.
2. Dimensions are subject to change without notice.
3. All dimensions are in inches (cm).
4. Symbol indicates center of gravity.

SDOM-1500-9

BOILER CERTIFIED RATINGS & CAPACITIES

Fuel Type	Natural/Propane Gas	Boiler FLA	11.0*
Input BTU/hr.	1,500,000 / 440 kW	Min. Gas Pressure Required	7" WC**
Output BTU/hr.	1,275,000 / 374 kW	Max. Gas Pressure Allowed	14" WC
Electrical Requirements	120VAC/ 1 ph/ 60 hz	Operating Weight	846 lbs. / 384 kg.

BOILER / WATER HEATER TRIM & CONTROLS

Main Gas Valve	Honeywell (2) V8944 1"	Pilot Valve	Honeywell VR8205
Firing Valve	Honeywell (2) B200T1033 1"	Air Switch	Cleveland RSS-495
Safety Valve	ASCO L8214G 1-1/4"	Blower Motor	(2) 1/4 hp - FLA 10.2
Ignition Control	UTC 1003-61A	Relief Valve - DW	3/4" x 3/4" set @ 125 psi
Operating Control	Tekmar BTC-2PA	Relief Valve - DB	3/4" x 1" set @ 50 psi
Operating Control	Tekmar BTC-4PA	Flow Switch	TACO
High Limit	Honeywell L4008E		

A.S.M.E.

ASME Sect IV Htg Surface	149.0 Sq. Ft. / 13.84 Sq. M.	Design Data	Max. 160 psig & 250°F
Water Volume	4.9 gal / 18.6 Liters		

* Add circulator amps.

** For incoming gas pressures lower than 7" WC natural or 11" WC propane, consult factory.

BOILER TEMPERATURE RISE / PRESSURE DROP

25°F / 13.9°C				30°F / 16.7°C				35°F / 19.4°C			
Flow Rate		Pressure Drop		Flow Rate		Pressure Drop		Flow Rate		Pressure Drop	
GPM	L/s	Ft	kPa	GPM	L/s	Ft	kPa	GPM	L/s	Ft	kPa
102.0	6.4	6.29	18.5	85.0	5.4	4.49	13.2	72.9	4.6	3.37	9.9

WATER HEATER HOURLY RECOVERY CAPACITY (GPH & LPH)

40°F	22°C	60°F	33°C	80°F	44°C	100°F	56°C	120°F	67°C	140°F	78°C
3709	14022	2473	9348	1855	7011	1484	5609	1236	4674	1060	4006

REP FIRM _____
SUBMITTED BY _____
JOB NAME _____
ARCHITECT _____
ENGINEER _____
CONTRACTOR _____
DATE _____

DOMINATOR 1500

Category I or Category III Appliance
(see Installation and Operation Manual for venting information)

RBI[®]
RELIABLE. BOLD. INNOVATIVE.

A Division of Mestek, Inc.
Westfield, MA 01085
(413) 564-5515

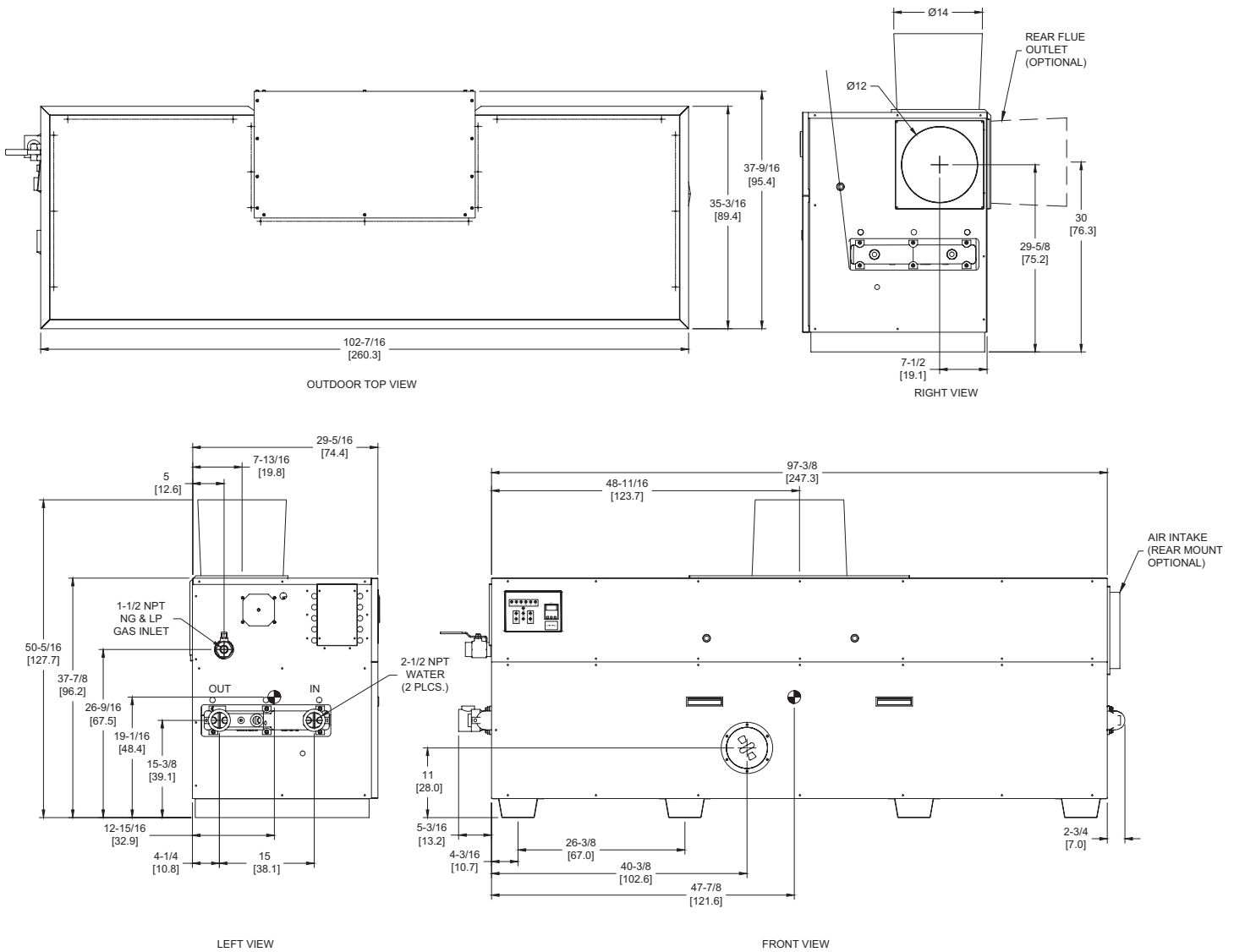
DOMINATOR 1950

Category I or Category III Appliance

(see Installation and Operation Manual for venting information)

CODE OPTIONS

CSD-1	UTC Lockout/Reset Control
	Manual Reset LWCO



RSUB-35-G

Notes:

1. Dimensions are approximate and should not be used to "rough-in" equipment.
2. Dimensions are subject to change without notice.
3. All dimensions are in inches (cm).
4. Symbol indicates center of gravity.

SDOM-1950-9

BOILER CERTIFIED RATINGS & CAPACITIES

Fuel Type	Natural/Propane Gas	Boiler FLA	11.0*
Input BTU/hr.	1,950,000 / 572 kW	Min. Gas Pressure Required	7" WC**
Output BTU/hr.	1,657,500 / 486 kW	Max. Gas Pressure Allowed	14" WC
Electrical Requirements	120VAC/ 1 ph/ 60 hz	Operating Weight	1088 lbs. / 494 kg.

BOILER / WATER HEATER TRIM & CONTROLS

Main Gas Valve	Honeywell (2) V8944 1"	Pilot Valve	Honeywell VR8205
Firing Valve	Honeywell (2) B200T1033 1"	Air Switch	Cleveland RSS-495
Safety Valve	ASCO L8214G 1-1/2"	Blower Motor	(2) 1/4 hp - FLA 10.2
Ignition Control	UTC 1003-61A	Relief Valve - DW	3/4" x 3/4" set @ 125 psi
Operating Control	Tekmar BTC-2PA	Relief Valve - DB	3/4" x 1-1/4" set @ 50 psi
Operating Control	Tekmar BTC-4PA	Flow Switch	TACO
High Limit	Honeywell L4008E		

A.S.M.E.

ASME Sect IV Htg Surface	189.0 Sq. Ft. / 17.56 Sq. M.	Design Data	Max. 160 psig & 250°F
Water Volume	5.4 gal / 20.4 Liters		

* Add circulator amps.

** For incoming gas pressures lower than 7" WC natural or 11" WC propane, consult factory.

BOILER TEMPERATURE RISE / PRESSURE DROP

30°F / 16.7°C				35°F / 19.4°C			
Flow Rate		Pressure Drop		Flow Rate		Pressure Drop	
GPM	L/s	Ft	kPa	GPM	L/s	Ft	kPa
110.5†	7.0†	9.18	27.0	94.7	6.0	6.90	20.3

† Flow exceeds recommended maximum use a greater temperature rise or consult manufacturer.
Cupronickel heat exchanger should be considered.

WATER HEATER HOURLY RECOVERY CAPACITY (GPH & LPH)

40°F	22°C	60°F	33°C	80°F	44°C	100°F	56°C	120°F	67°C	140°F	78°C
4816	18206	3211	12138	2408	9103	1927	7283	1605	6069	1376	5202

REP FIRM	_____
SUBMITTED BY	_____
JOB NAME	_____
ARCHITECT	_____
ENGINEER	_____
CONTRACTOR	_____
DATE	_____

DOMINATOR 1950

Category I or Category III Appliance
(see Installation and Operation Manual for venting information)

RBI®
RELIABLE. BOLD. INNOVATIVE.

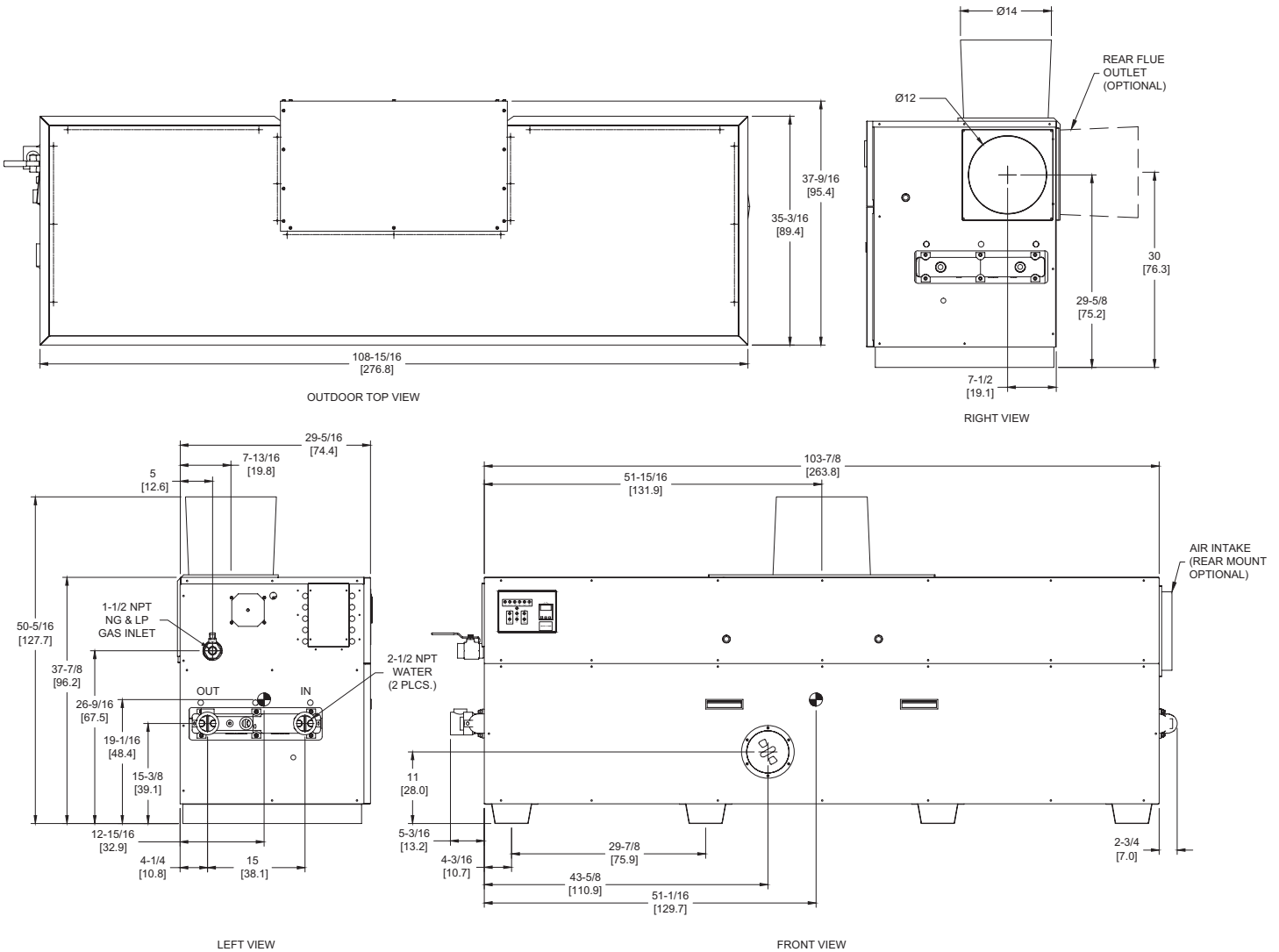
A Division of Mestek, Inc.
Westfield, MA 01085
(413) 564-5515

DOMINATOR 2100

Category I or Category III Appliance
 (see Installation and Operation Manual for venting information)

CODE OPTIONS

CSD-1	UTC Lockout/Reset Control Manual Reset LWCO
--------------	--



RSUB-36-G

Notes:

1. Dimensions are approximate and should not be used to "rough-in" equipment.
2. Dimensions are subject to change without notice.
3. All dimensions are in inches (cm).
4. ● Symbol indicates center of gravity.

SDOM-2100-9

BOILER CERTIFIED RATINGS & CAPACITIES

Fuel Type	Natural/Propane Gas	Boiler FLA	11.0*
Input BTU/hr.	2,100,000 / 616 kW	Min. Gas Pressure Required	7" WC**
Output BTU/hr.	1,785,000 / 523 kW	Max. Gas Pressure Allowed	14" WC
Electrical Requirements	120VAC/ 1 ph/ 60 hz	Operating Weight	1105 lbs. / 502 kg.

BOILER / WATER HEATER TRIM & CONTROLS

Main Gas Valve	Honeywell (2) V8944 1-1/4"	Pilot Valve	Honeywell VR8205
Firing Valve	Honeywell (2) B200T1041 1-1/4"	Air Switch	Cleveland RSS-495
Safety Valve	ASCO L8214G 1-1/2"	Blower Motor	(2) 1/4 hp - FLA 10.2
Ignition Control	UTC 1003-61A	Relief Valve - DW	3/4" x 3/4" set @ 125 psi
Operating Control	Tekmar BTC-2PA	Relief Valve - DB	3/4" x 1-1/4" set @ 50 psi
Operating Control	Tekmar BTC-4PA	Flow Switch	TACO
High Limit	Honeywell L4008E		

A.S.M.E.

ASME Sect IV Htg Surface	202.0 Sq. Ft. / 18.77 Sq. M.	Design Data	Max. 160 psig & 250°F
Water Volume	5.6 gal / 21.4 Liters		

* Add circulator amps.

** For incoming gas pressures lower than 7" WC natural or 11" WC propane, consult factory.

BOILER TEMPERATURE RISE / PRESSURE DROP

30°F / 16.7°C				35°F / 19.4°C			
Flow Rate		Pressure Drop		Flow Rate		Pressure Drop	
GPM	L/s	Ft	kPa	GPM	L/s	Ft	kPa
119.0†	7.5†	11.24	33.1	102.0	6.4	8.45	24.9

† Flow exceeds recommended maximum use a greater temperature rise or consult manufacturer.
Cupronickel heat exchanger should be considered.

WATER HEATER HOURLY RECOVERY CAPACITY (GPH & LPH)

40°F	22°C	60°F	33°C	80°F	44°C	100°F	56°C	120°F	67°C	140°F	78°C
5187	19607	3458	13071	2593	9803	2075	7843	1729	6536	1482	5602

REP FIRM	_____
SUBMITTED BY	_____
JOB NAME	_____
ARCHITECT	_____
ENGINEER	_____
CONTRACTOR	_____
DATE	_____

DOMINATOR 2100

Category I or Category III Appliance
(see Installation and Operation Manual for venting information)

RBI®
RELIABLE. BOLD. INNOVATIVE.

A Division of Mestek, Inc.
Westfield, MA 01085
(413) 564-5515